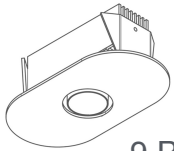
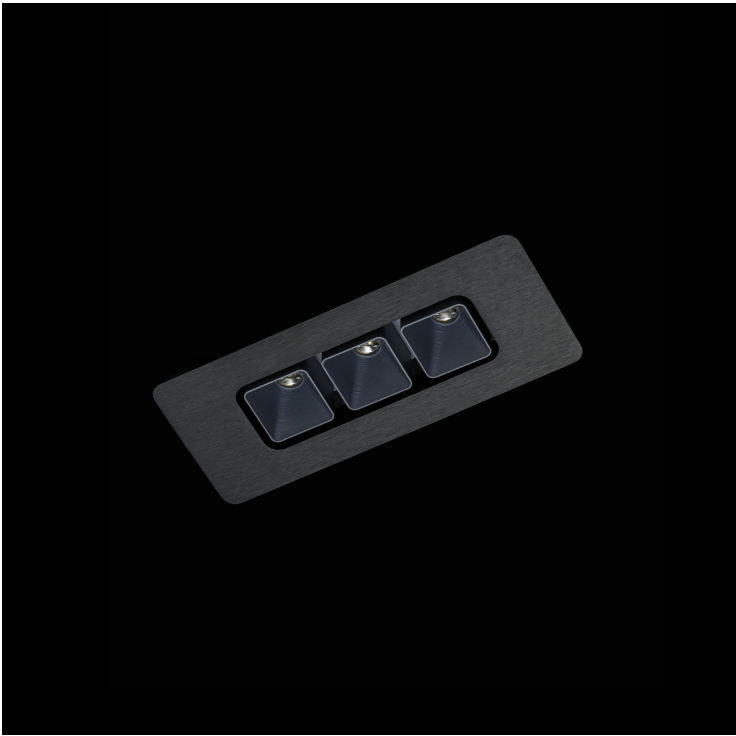
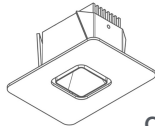


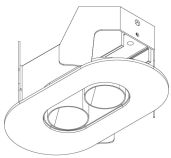
OFF-SET
OFF-SET recess



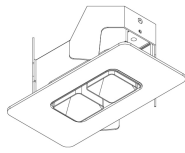
9.P.1131



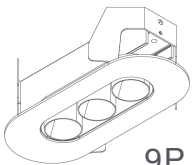
9.P.1151



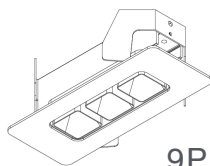
9P.2131



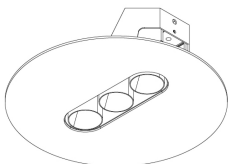
9P.2151



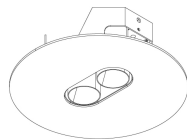
9P.3131



9P.3151

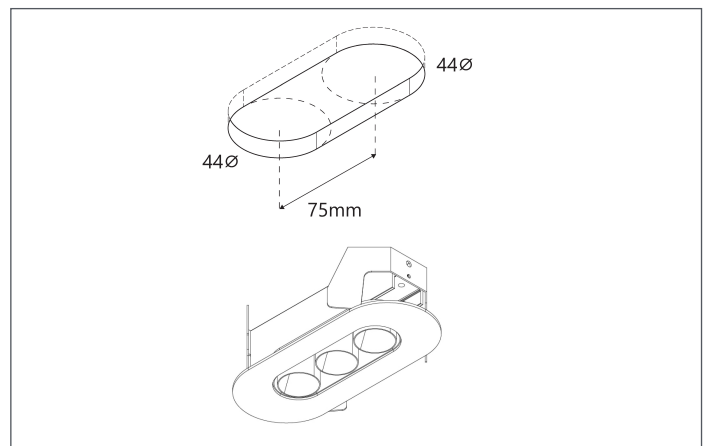
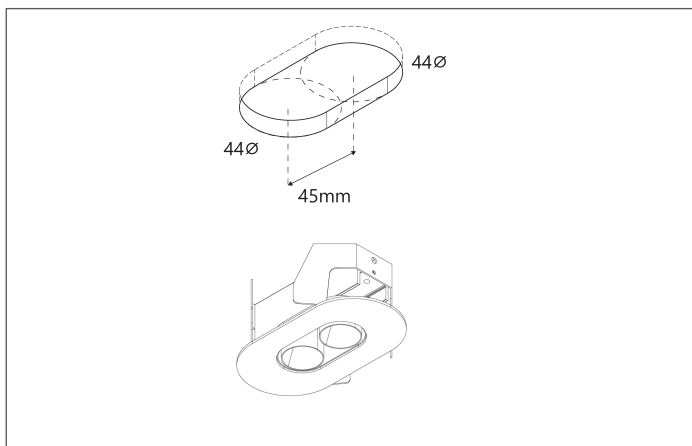
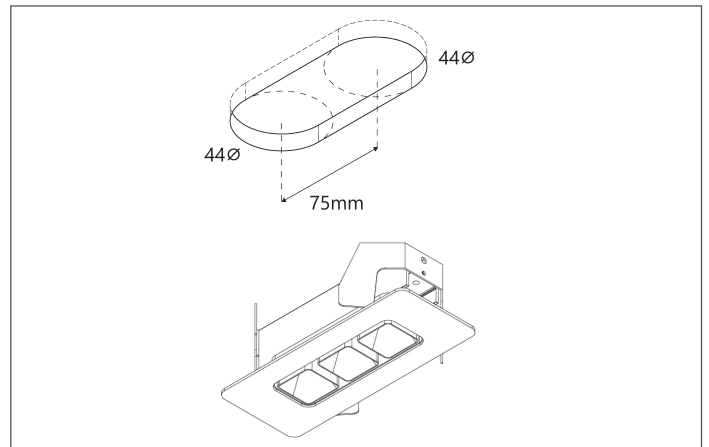
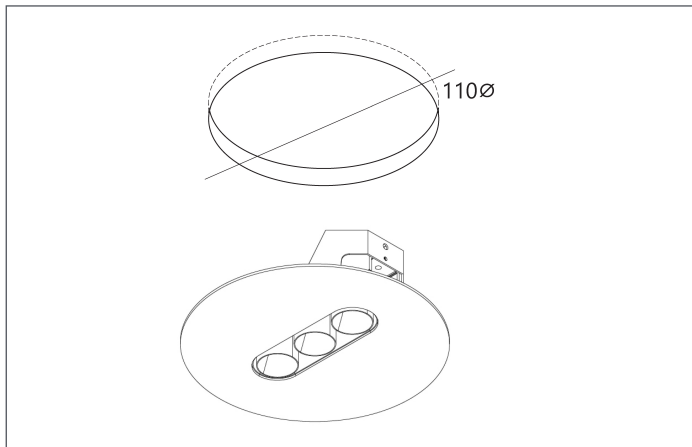
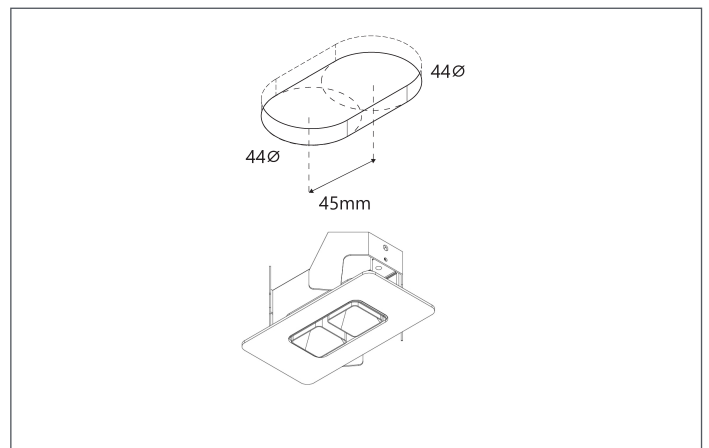
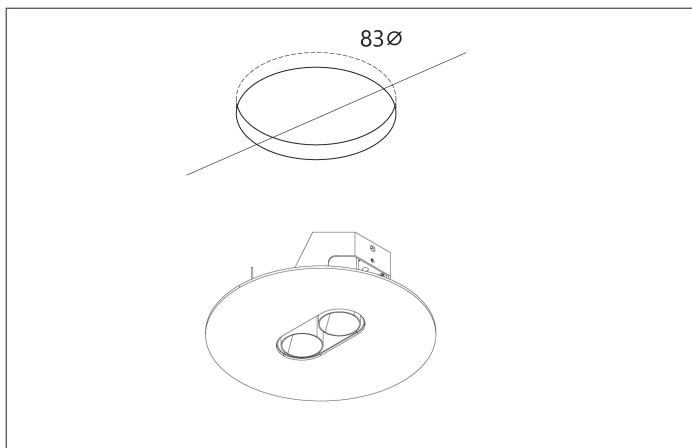
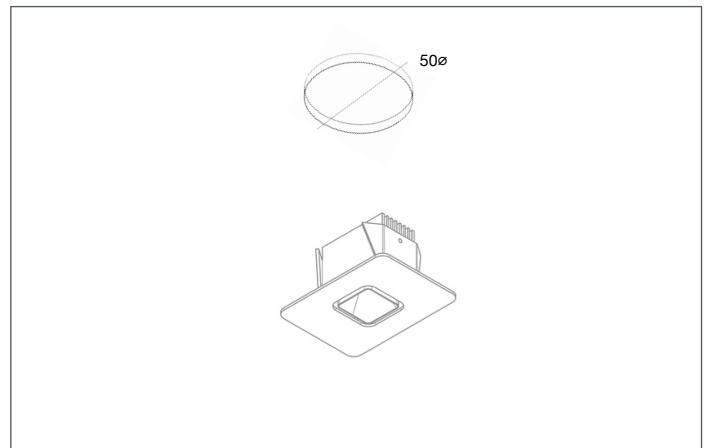
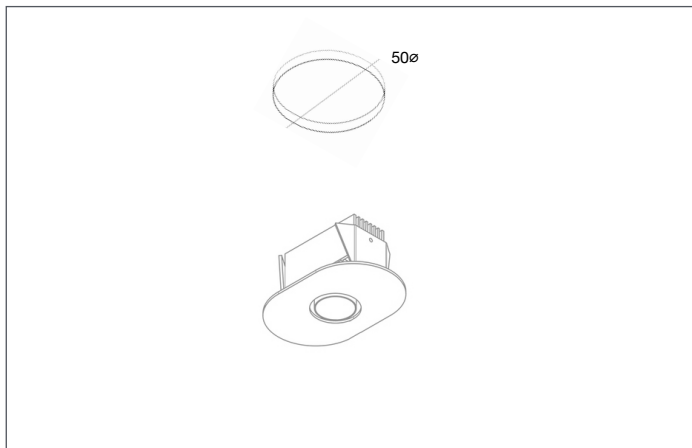


9P.3101

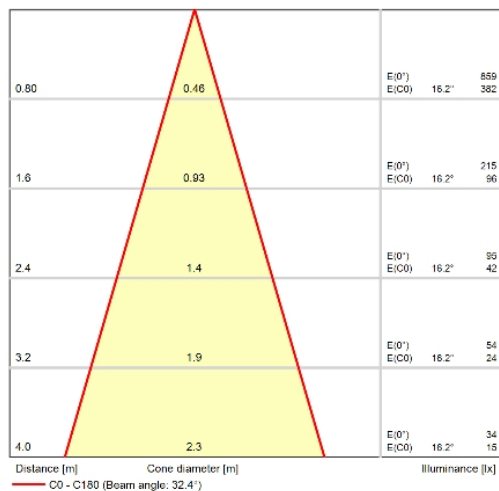


9P.2101

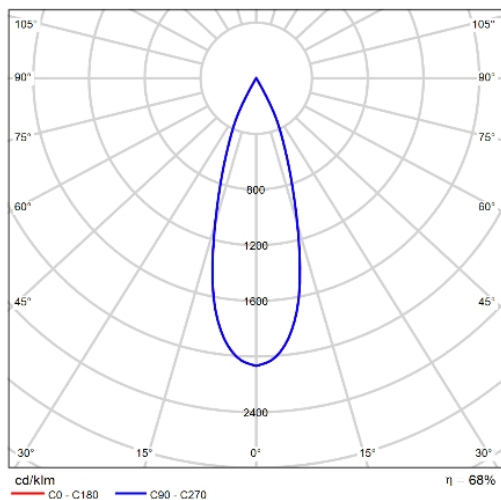
CUTTING DIAMETERS AND MOUNTING



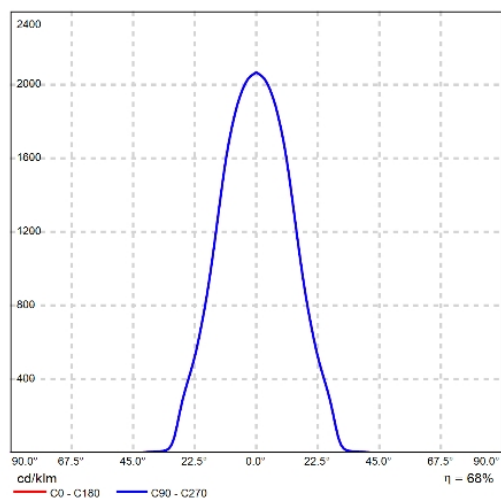
CONE DIAGRAM (calculation for 9.P.1131)



POLAR LDC (calculation for 9.P.1131)



LINEAR LDC (calculation for 9.P.1131)



DESCRIPTION

OFF-SET NT trimless rounded and squary with 3x1, 2x1, 1x1 narrow beam TIR-lenses 15° and led sources

FIXTURE

Housing Finish
 WH white RAL9010 powder coated
 BL black anodised
 GO gold anodised
 GM gun metal anodised
 SI matte silver anodised
 BR bronze anodised

Visor + Base Finish
 BL black anodised
 GO gold anodised
 GM gun metal anodised
 BR bronze anodised

IP Rating IP20

ELECTRICAL FEATURES

9.P.1131	9.P.2101	9.P.3131
9.P.1151	9.P.2131	9.P.3251

Power D DALI (driver included)

Current C7 C7 / V2 C7 / V2

LIGHT SOURCE (data at 2700°K)

LED Quantity 1 2 3

Lamp Power (700 mA) 2 W 4 W 6 W

Lamp Power (1000 mA) 3 W 5,7 W 8,7 W

Lamp Flux (700 mA) 195 lm 390 lm 585 lm

Lamp Flux (1000 mA) 266 lm 532 lm 798 lm

Luminaire Flux (700 mA) 132 lm 268 lm 414 lm

Luminaire Flux (1000 mA) 180 lm 364 lm 564 lm

Efficiency %68

Luminous Efficacy 67,3 lm/W

LED Temperature
 7A 2700°K
 3A 3000°K
 8A 4000°K

CRI 97

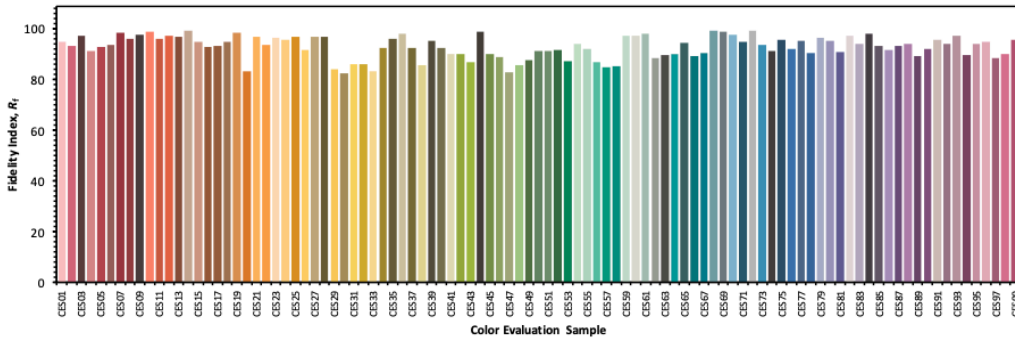
R09 53

UGR
 < 6 1x1, 2x1, 3x1 rounded
 <16 1x1, 2x1, 3x1 squary

OPTICS

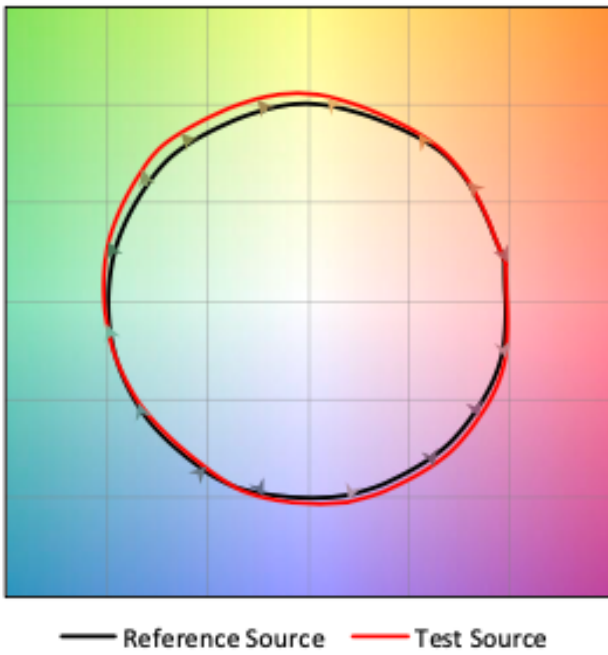
Beam Angle 1 15 degree beam

COLOR FIDELITY BY SAMPLE (calculation for 9.P.1131)

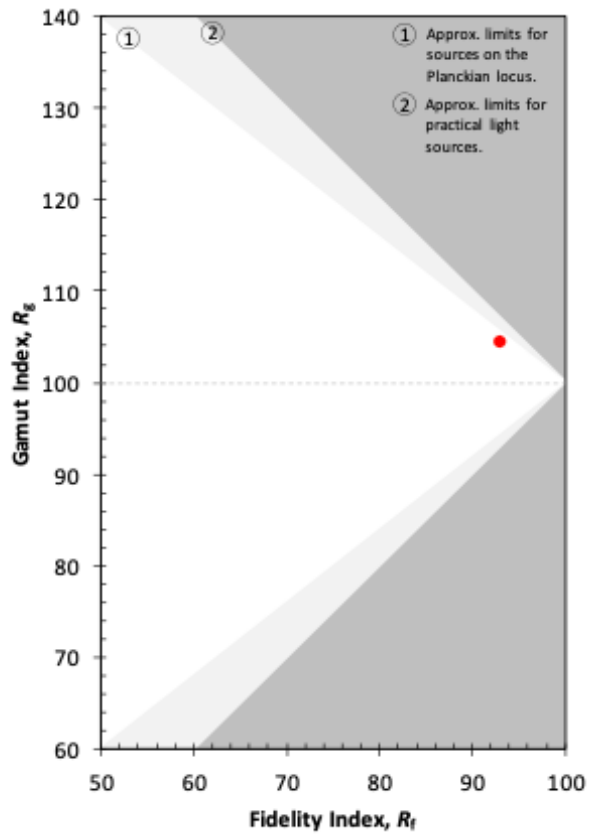


u'	0,2604
v'	0,5270
x	0,4569
y	0,4110
Δuv	0,0004
R9	53
Rg@2700K	99
Rf@2700K	91

COLOR VECTOR GRAPHIC (calculation for 9.P.1131)



FIDELITY INDEX (calculation for 9.P.1131)



*Black54 reserves the right of discontinuing or replacing products inside this database

PRODUCT CODES FOR ORDER INFORMATION

model	beam angle	housing finish	visor/base finish	LED temperature	power	current
113 1x1 Round in rounded recess 115 1x1 Square in square recess	1 15 degree beam	WH white RAL9010 powder coated BL black anodised GO gold anodised GM gun metal anodised SI matte silver anodised BR bronze anodised	BL black anodised GO gold anodised GM gun metal anodised BR bronze anodised	7A 2700°K 3A 3000°K 8A 4000°K	E dimmable (driver excluded)	C7 constant current 700mA
9 . P .	.					

model	beam angle	housing finish	visor/base finish	LED temperature	power	current
210 2x1 Round in round recess 213 2x1 Round in long rounded recess 215 2x1 Square in rectangular recess 310 3x1 Round in round recess 313 3x1 Round in long rounded recess 315 3x1 Square in rectangular recess	1 15 degree beam	WH white RAL9010 powder coated BL black anodised GO gold anodised GM gun metal anodised SI matte silver anodised BR bronze anodised	BL black anodised GO gold anodised GM gun metal anodised BR bronze anodised	7A 2700°K 3A 3000°K 8A 4000°K	E dimmable (driver excluded)	C7 constant current 700mA V2 constant voltage 24v
9 . P .	.					

*Black54 reserves the right of discontinuing or replacing products inside this database

ACCESSORIES



7.P.7000 DCDC converter 700mA/24V dc