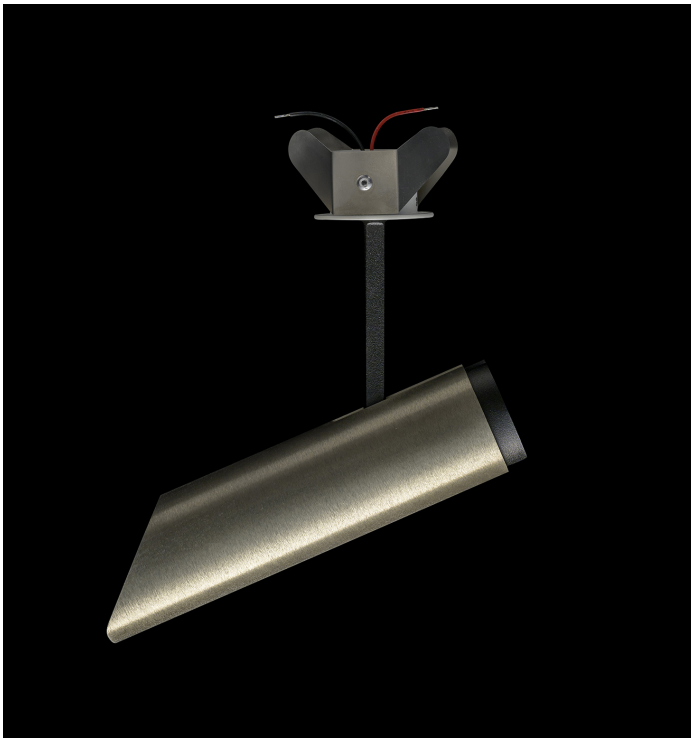
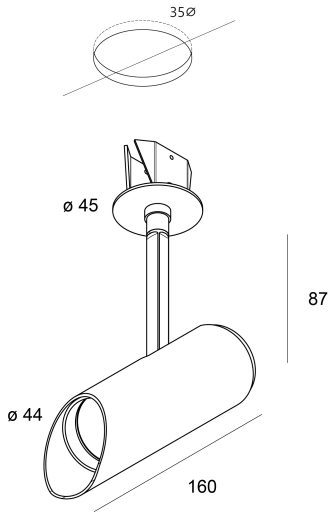


OFF-SET

ESS on small round recess



9P.2001



DESCRIPTION

OFF-SET ESS spot round in aluminium housing and structure, containing 15° lens

FIXTURE

housing finish
 WH white RAL9010 powder coated
 BL black anodised
 GO gold anodised
 GM gun metal anodised
 SI matte silver anodised
 BR bronze anodised

visor + base finish -

IP rating IP40

cut out 35 mm (diameter)

ELECTRICAL FEATURES

power E dimmable (driver included)

Current C2 constant current 250 mA

LIGHT SOURCE

LED quantity 1

Lamp power 9,3 W

Lamp flux 706 lm

Luminaire flux 705 lm

Efficiency %99,84

Luminous efficacy 75,8 lm/W

LED temperature
 7A 2700°K
 3A 3000°K
 8A 4000°K

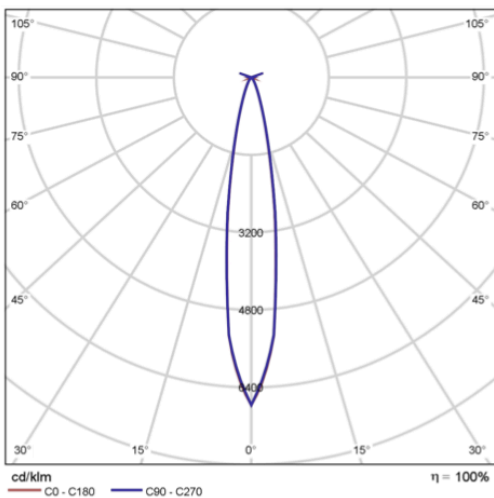
CRI 90

UGR ≤ 10

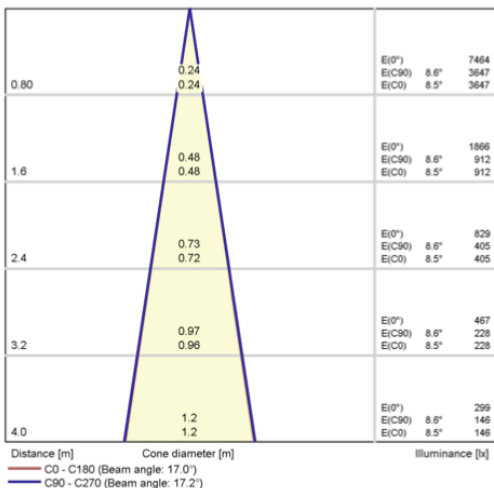
OPTICS

Beam angle 3 18°

POLAR LDC



CONE DIAGRAM



*Black54 reserves the right of discontinuing or replacing products inside this database

PRODUCT CODES FOR ORDER INFORMATION

	model	beam angle	housing finish	visor/base finish	LED temperature	power	current
	200 OFF-SET ESS on small round recess	1 15° beam	WH white RAL9010 powder coated BL black anodised GO gold anodised GM gun metal anodised SI matte silver anodised BR bronze anodised	-	4 2400°K 7 2700°K 3 3000°K 5 3500°K	E dimmable (driver included)	C2 constant current 250 mA
9 P .							

*Black54 reserves the right of discontinuing or replacing products inside this database