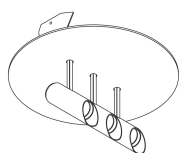
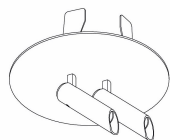


OFF-SET

ESSm



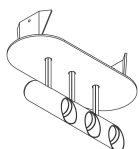
9.P.2301



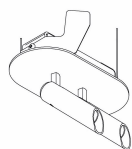
9.P.2201



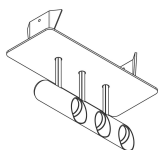
9.P.1001



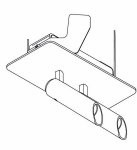
9.P.2331



9.P.2231

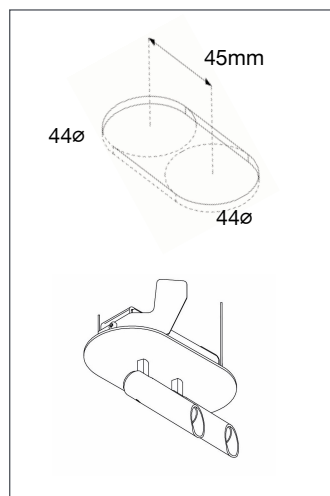
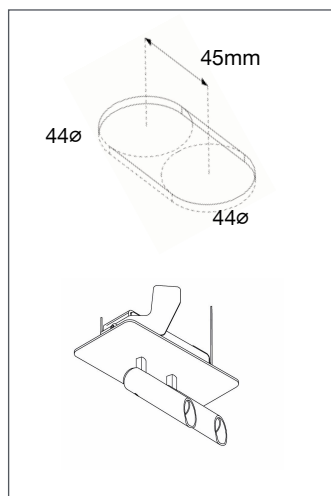
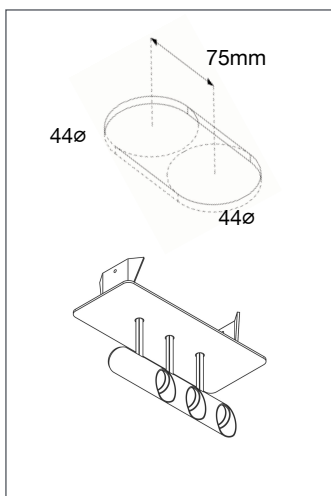
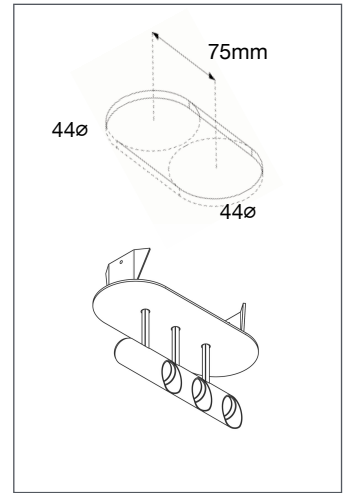
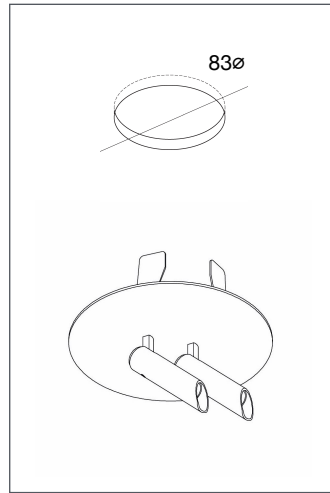
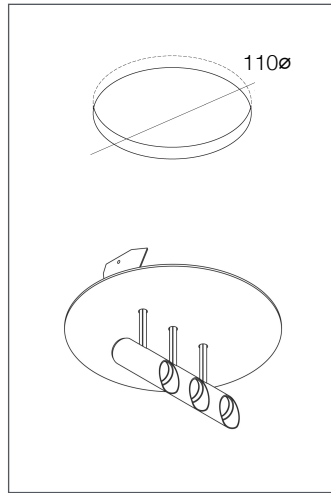
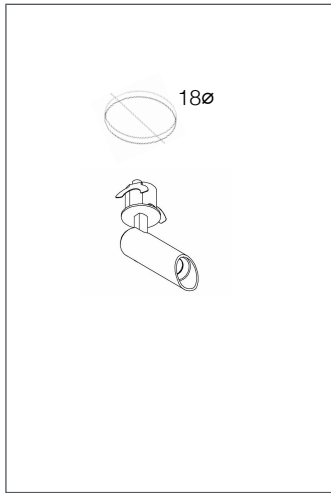


9.P.2321

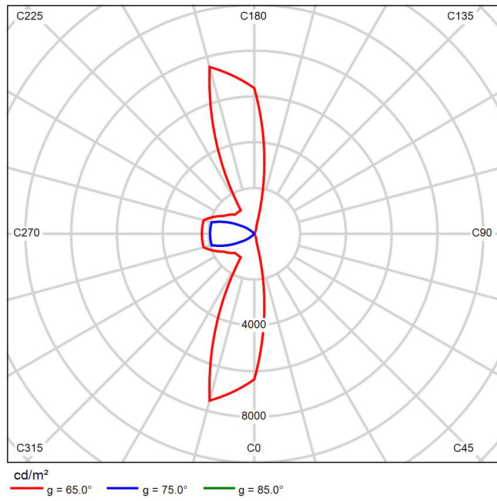


9.P.2221

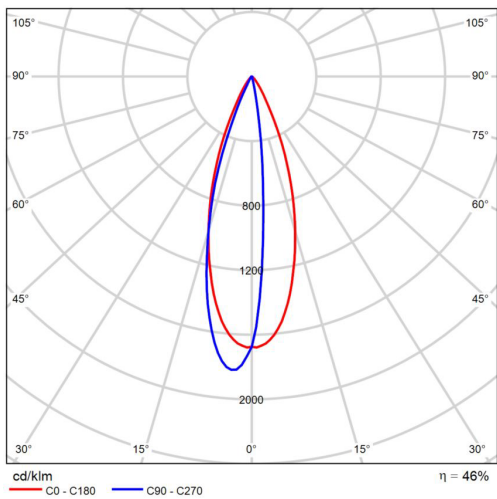
CUTTING DIAMETERS AND MOUNTING



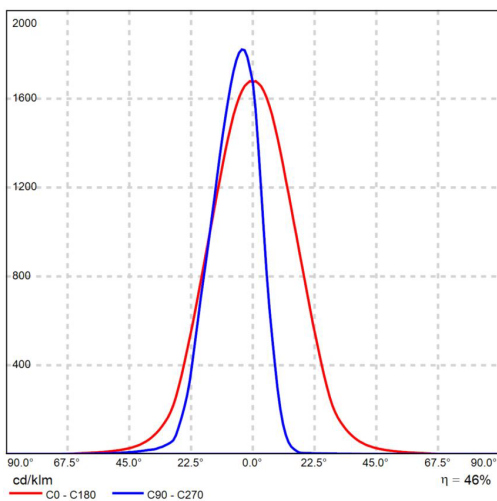
LUMINANCE DIAGRAM



POLAR LDC



LINEAR LDC



DESCRIPTION

OFF-SET with ESSm

FIXTURE

Housing Finish	WH white RAL9010 powder coated
Visor	BL black anodised
Base Finish	GO gold anodised
	GM gun metal anodised
	SI matte silver anodised
	BR bronze anodised

IP Rating IP20

ELECTRICAL FEATURES

	9.P.1001	9.P.2201	9.P.2301
		9.P.2231	9.P.2331
		9.P.2221	9.P.2321

Power E dimmable (driver excluded)

Current C7 V2 V2

LIGHT SOURCE

LED Quantity 1 2 3

Power	2,18 W	4,36 W	6,54 W
Source Flux	212 lm	424 lm	636 lm
Luminaire Flux	157,26 lm	314,52 lm	471,78 lm
Source Efficacy	97,25 lm/W	97,25 lm/W	97,25 lm/W
Luminaire Efficacy	72,14 lm/W	72,14 lm/W	72,14 lm/W
Optical Efficiency	%74,18	%74,18	%74,18

LED Temperature 7A 2700°K
3A 3000°K
8A 4000°K

CRI 97

R09 89

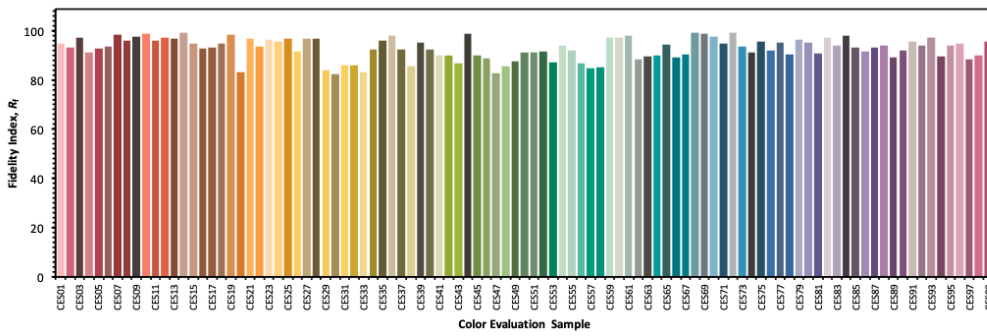
UGR < 22

OPTICS

Beam Angle 1 15 degree beam

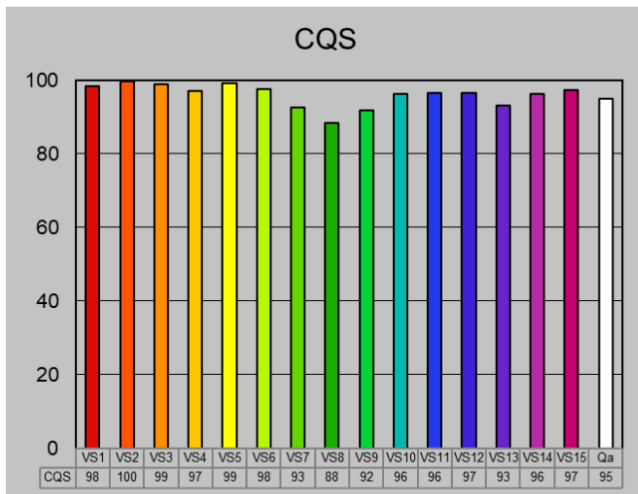
*Black54 reserves the right of discontinuing or replacing products inside this database

COLOR FIDELITY BY SAMPLE



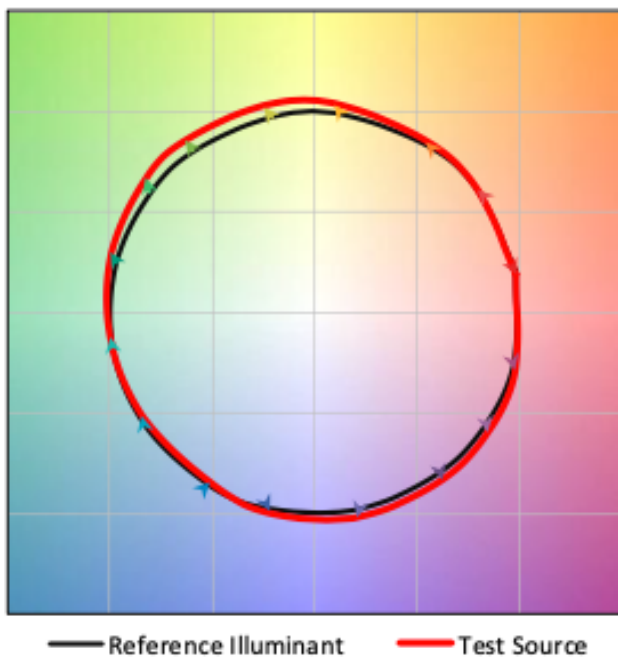
u'	0,2628
v'	0,5254
x	0,4574
y	0,4064
Δuv	*0,0014
R9	89

CQS

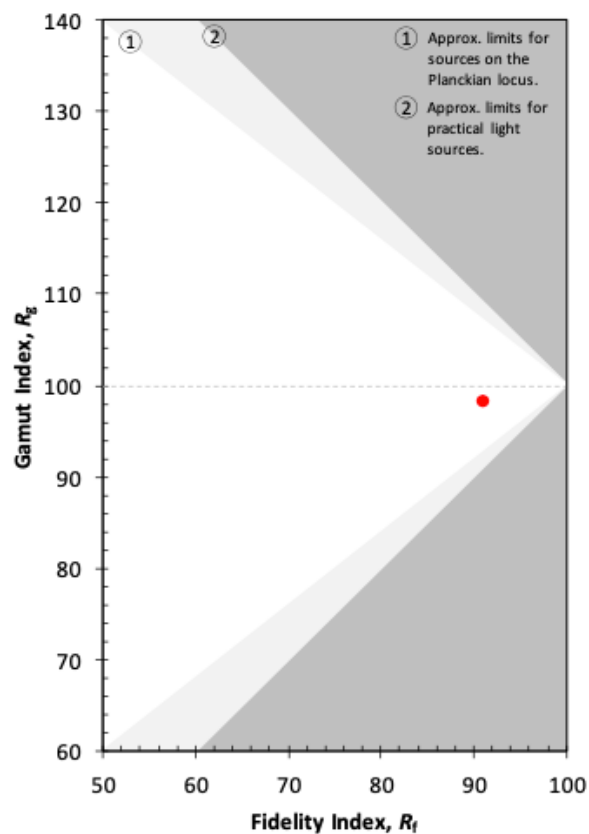


Rg@3000K	105
Rf@3000K	93

COLOR VECTOR GRAPHIC



FIDELITY INDEX



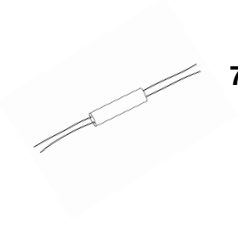
PRODUCT CODES FOR ORDER INFORMATION-1

		model	beam angle	housing + visor finish	LED temperature	power	current
		100 OFF-SET 1 ESSm on small recess	1 15 degree beam	WH white RAL9010 powder coated BL black anodised GO gold anodised GM gun metal anodised SI matte silver anodised BR bronze anodised	7 2700°K 3 3000°K 8 4000°K	E dimmable (driver excluded)	C7 constant current 700mA
9	.	T	.	.			

PRODUCT CODES FOR ORDER INFORMATION

		model	beam angle	housing + visor finish	LED temperature	power	current
		220 OFF-SET 2 ESSm on rounded recess 230 OFF-SET 3 ESSm on rounded recess 222 OFF-SET 2 ESSm on rectangular recess 223 OFF-SET 2 ESSm on long rounded recess 232 OFF-SET 3 ESSm on rectangular recess 233 OFF-SET 3 ESSm on long rounded recess	1 15 degree beam	WH white RAL9010 powder coated BL black anodised GO gold anodised GM gun metal anodised SI matte silver anodised BR bronze anodised	7 2700°K 3 3000°K 8 4000°K	E dimmable (driver excluded)	V2 constant voltage 24v
9	.	T	.	.			

*Black54 reserves the right of discontinuing or replacing products inside this database



7.P.7000 DCDC converter 700mA/24V dc