

OFF-SET  
OFF-SET trimless



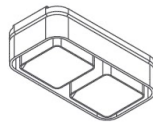
9.P.1011



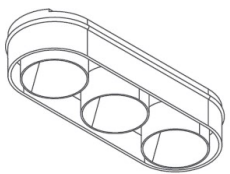
9.P.1411



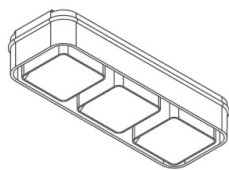
9.P.1021



9.P.1421

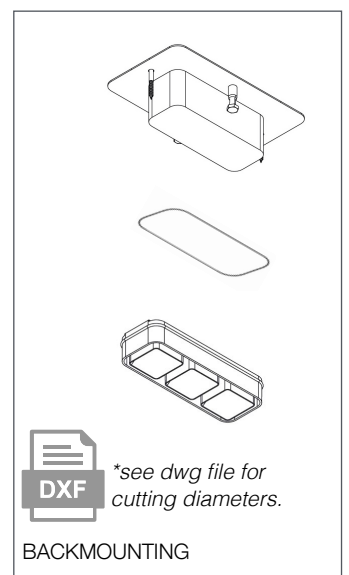
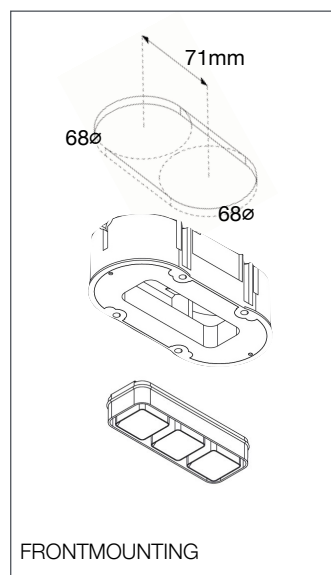
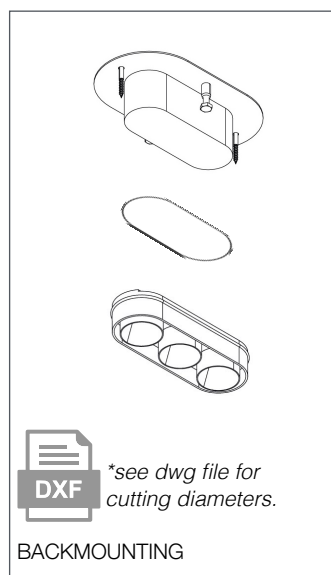
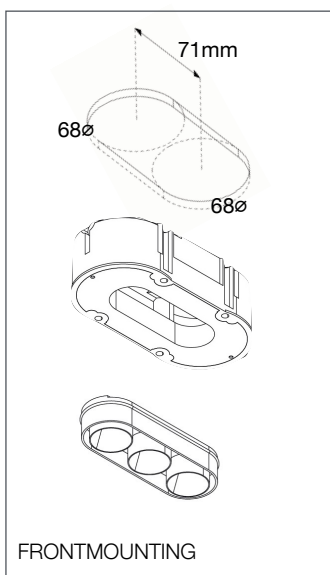
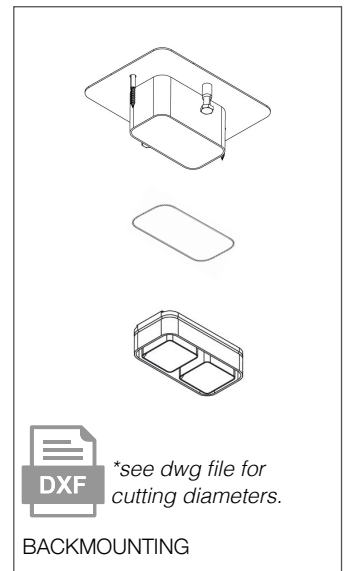
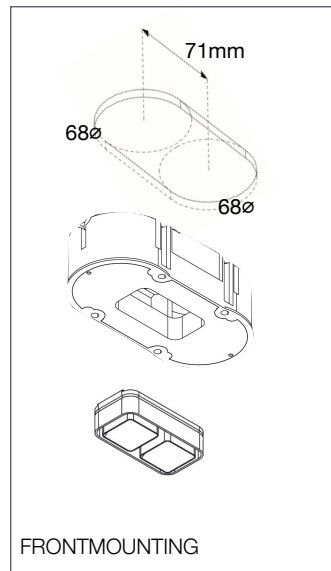
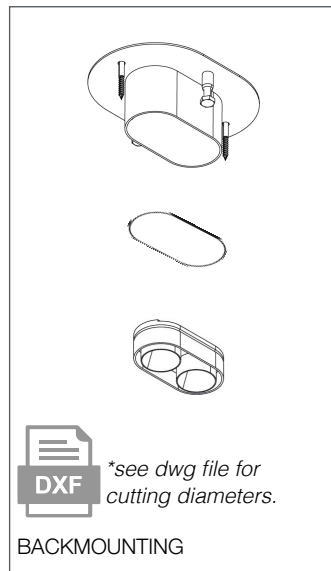
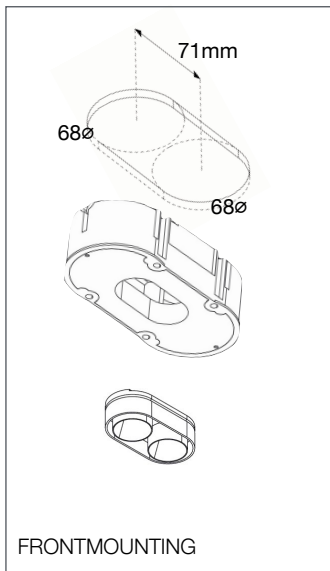
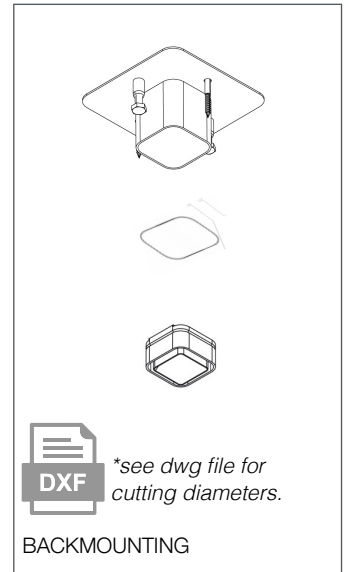
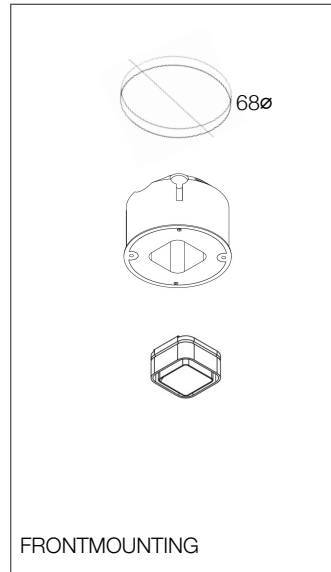
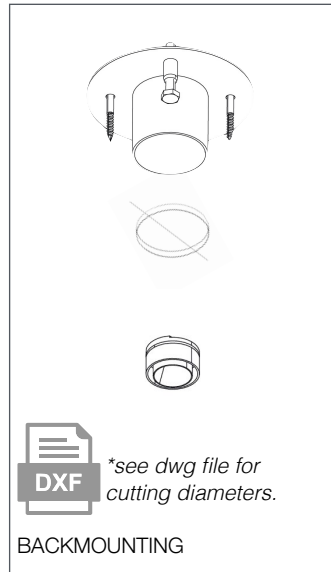
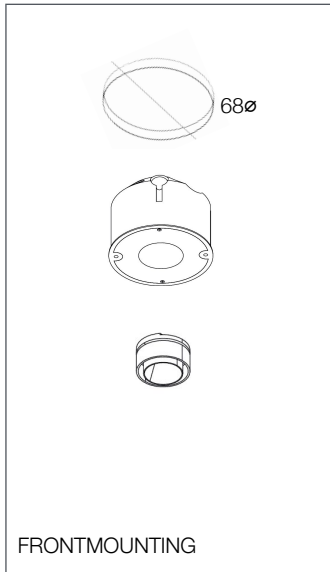


9.P.1031

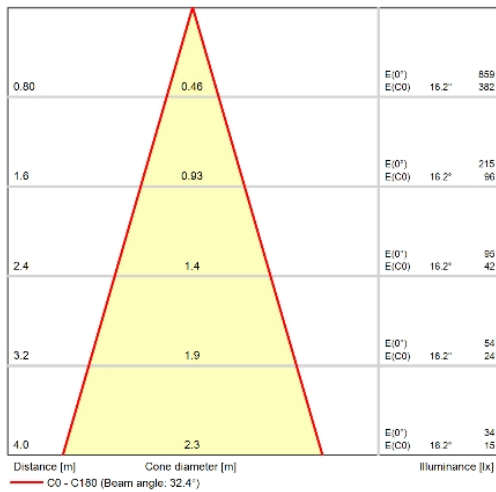


9.P.1431

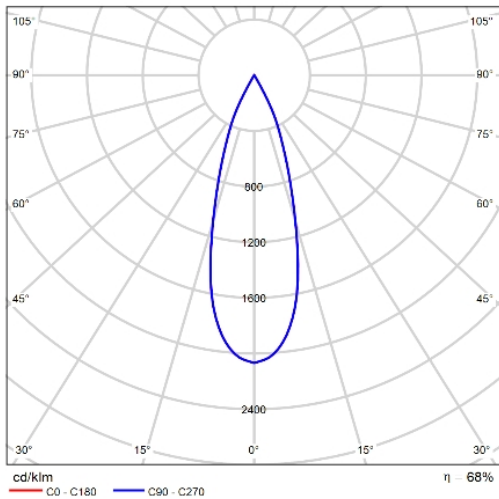
CUTTING DIAMETERS AND MOUNTING



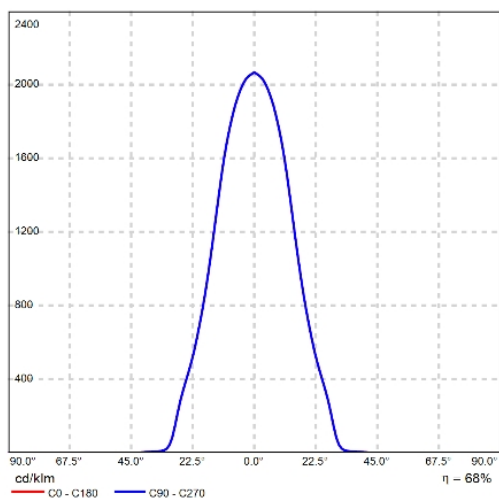
## CONE DIAGRAM



## POLAR LDC



## LINEAR LDC



## DESCRIPTION

OFF-SET trimless rounded and squary with 3x1, 2x1, 1x1 narrow beam TIR-lenses 15° and led sources

## FIXTURE

**Visor + Base Finish**  
 BL black anodised  
 GO gold anodised  
 GM gun metal anodised  
 BR bronze anodised

**IP Rating** IP44

## ELECTRICAL FEATURES

9.P.1011 9.P.1021 9.P.1031

9.P.1411 9.P.1421 9.P.1431

**Power** D DALI (driver included)

**Current** C7 C7 / V2 C7 / V2

## LIGHT SOURCE (data at 3000°K)

**LED Quantity** 1 2 3

**Power (700 mA)** 1,98 W 3,95 W 5,93 W

**Power (1000 mA)** 2,89 W 5,78 W 8,67 W

**Source Flux (700 mA)** 212 lm 424 lm 636 lm

**Source Flux (1000 mA)** 288 lm 576 lm 864 lm

**Luminaire Flux (700 mA)** 136,72 lm 276,36 lm 427,21 lm

**Luminaire Flux (1000 mA)** 185,68 lm 375,80 lm 581,38 lm

**Source Efficacy (700 mA)** 107,07 lm/W 107,34 lm/W 107,25 lm/W

**Source Efficacy (1000 mA)** 99,65 lm/W 99,65 lm/W 99,65 lm/W

**Luminaire Efficacy (700 mA)** 69,05 lm/W 69,96 lm/W 72,04 lm/W

**Luminaire Efficacy (1000 mA)** 64,25 lm/W 65,02 lm/W 67,06 lm/W

**Optical Efficiency (700 mA)** %64,49 %65,18 %67,17

**Optical Efficiency (1000 mA)** %64,47 %65,24 %67,29

**LED Temperature**  
 7A 2700°K  
 3A 3000°K  
 8A 4000°K

**CRI** 97

**R09** 90

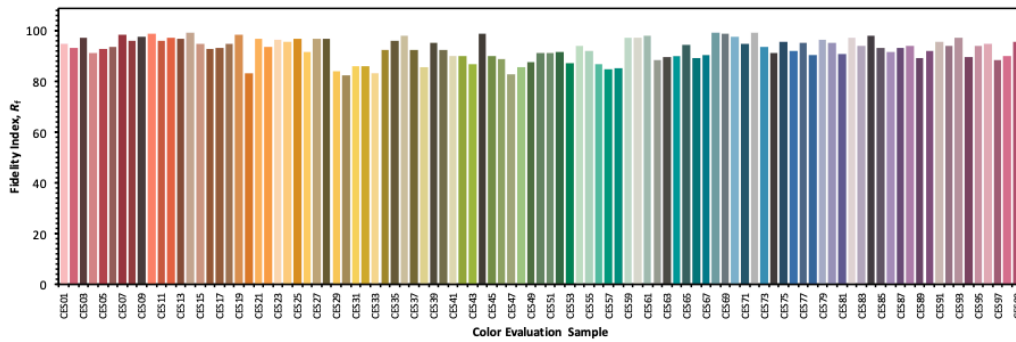
**UGR**  
 < 6 1x1, 2x1, 3x1 rounded  
 <16 1x1, 2x1, 3x1 squary

## OPTICS

**Beam Angle** 1 15 degree beam

\*Black54 reserves the right of discontinuing or replacing products inside this database

COLOR FIDELITY BY SAMPLE



$u'$  0,2628

$v'$  0,5254

$x$  0,4386

$y$  0,3992

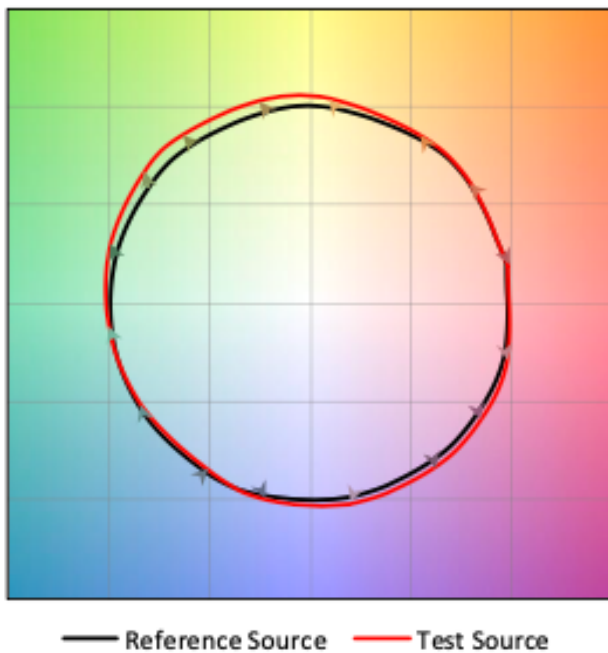
$\Delta uv$  -0,0022

R9 90

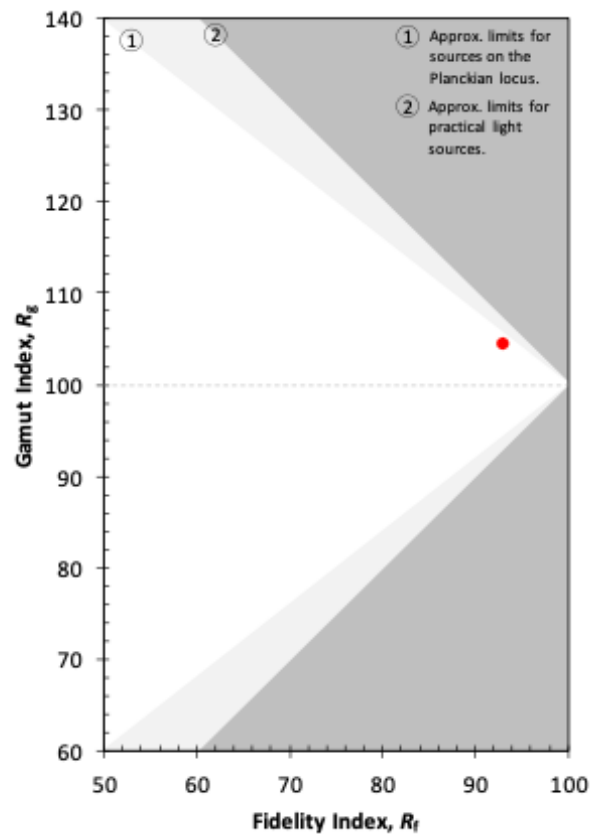
Rg@3000K 93

Rf@3000K 105

COLOR VECTOR GRAPHIC



FIDELITY INDEX



\*Black54 reserves the right of discontinuing or replacing products inside this database

PRODUCT CODES FOR ORDER INFORMATION

		model	beam angle	housing finish	visor/base finish	LED temperature	power	current
		<b>101</b> rounded 1x1 trimless <b>141</b> square 1x1 trimless	<b>1</b> 15 degree beam	-	<b>BL</b> black anodised <b>GO</b> gold anodised <b>GM</b> gun metal anodised <b>BR</b> bronze anodised	<b>7A</b> 2700°K <b>3A</b> 3000°K <b>8A</b> 4000°K	<b>E</b> dimmable (driver excluded)	<b>C7</b> constant current 700mA
<b>9</b>	<b>.</b>	<b>P</b>	<b>.</b>	<b>.</b>				

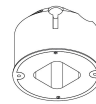
		model	beam angle	housing finish	visor/base finish	LED temperature	power	current
		<b>102</b> rounded 2x1 trimless <b>142</b> square 2x1 trimless <b>103</b> rounded 3x1 trimless <b>143</b> square 3x1 trimless	<b>1</b> 15 degree beam	-	<b>BL</b> black anodised <b>GO</b> gold anodised <b>GM</b> gun metal anodised <b>BR</b> bronze anodised	<b>7A</b> 2700°K <b>3A</b> 3000°K <b>8A</b> 4000°K	<b>E</b> dimmable (driver excluded)	<b>C7</b> constant current 700mA <b>V2</b> constant voltage 24v
<b>9</b>	<b>.</b>	<b>P</b>	<b>.</b>	<b>.</b>				

\*Black54 reserves the right of discontinuing or replacing products inside this database

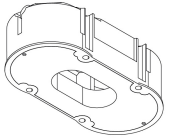
OFF-SET NT ACCESSORIES



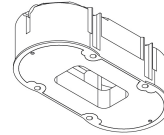
**7.P.101** 1x1 front mounting tool rounded



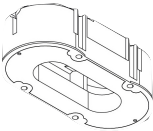
**7.P.141** 1x1 front mounting tool squary



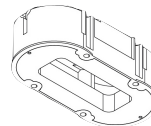
**7.P.102** 2x1 front mounting tool rounded



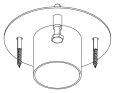
**7.P.142** 2x1 front mounting tool squary



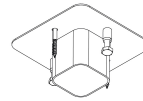
**7.P.103** 3x1 front mounting tool rounded



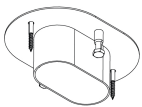
**7.P.143** 3x1 front mounting tool squary



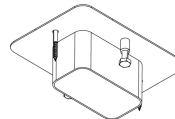
**7.P.201** 1x1 back mounting tool rounded



**7.P.241** 1x1 back mounting tool squary



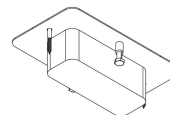
**7.P.202** 2x1 back mounting tool rounded



**7.P.242** 2x1 back mounting tool squary



**7.P.203** 3x1 back mounting tool rounded



**7.P.243** 3x1 back mounting tool squary



**7.P.7000** DCDC converter 700mA/24V dc