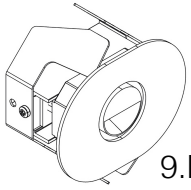
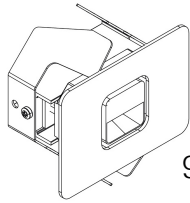


OFF-SET

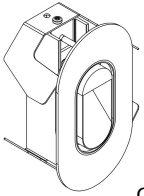
OFF-SET NT asymmetric recess



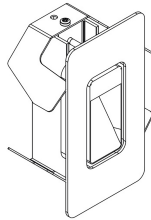
9.N.2015



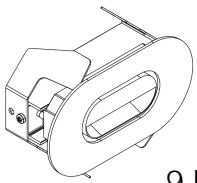
9.N.2415



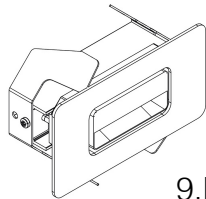
9.N.2035



9.N.2435



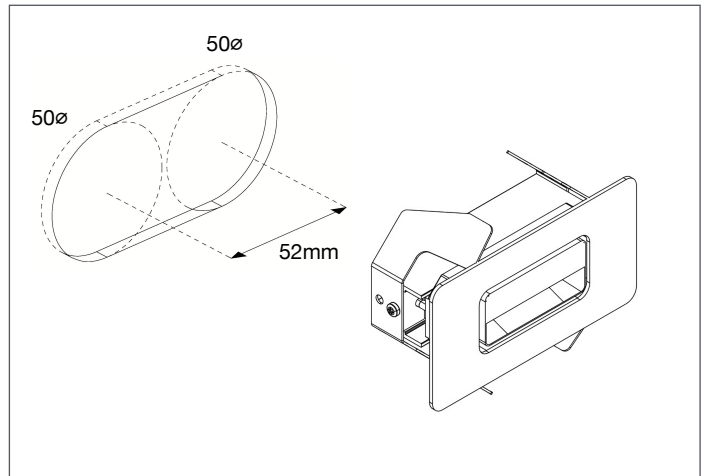
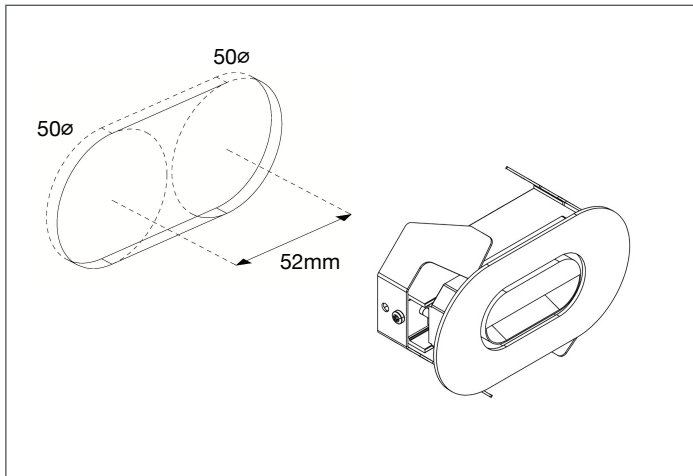
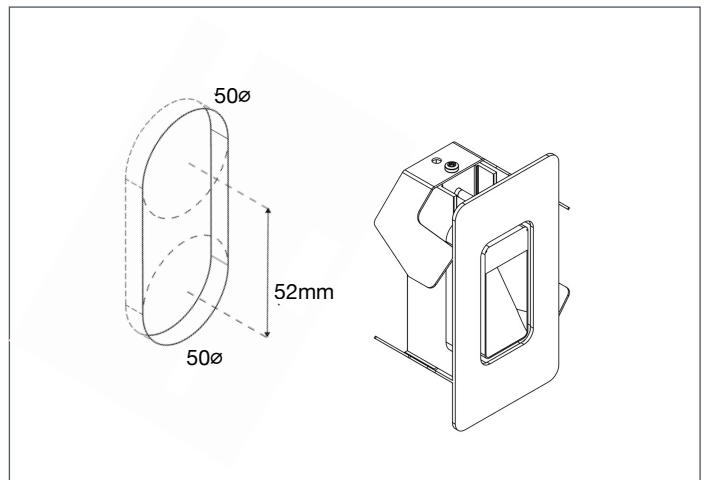
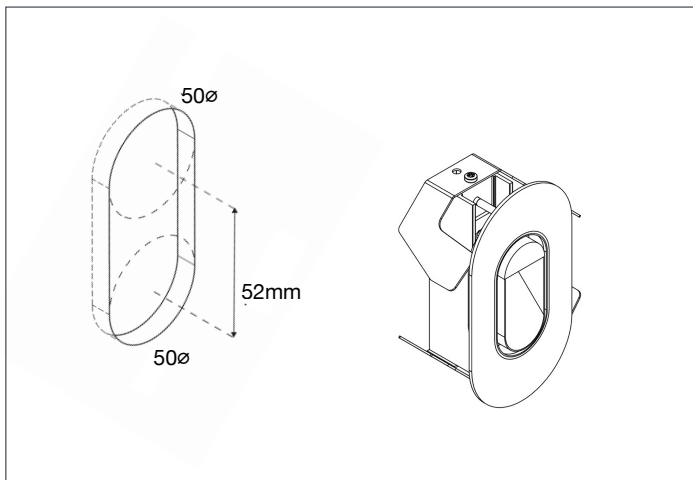
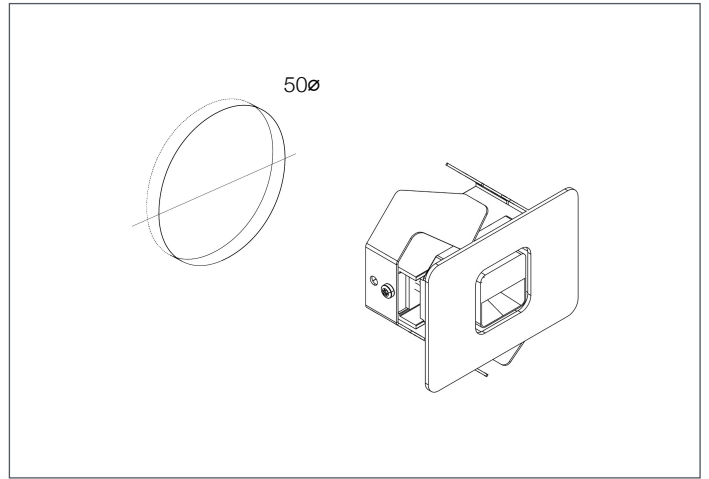
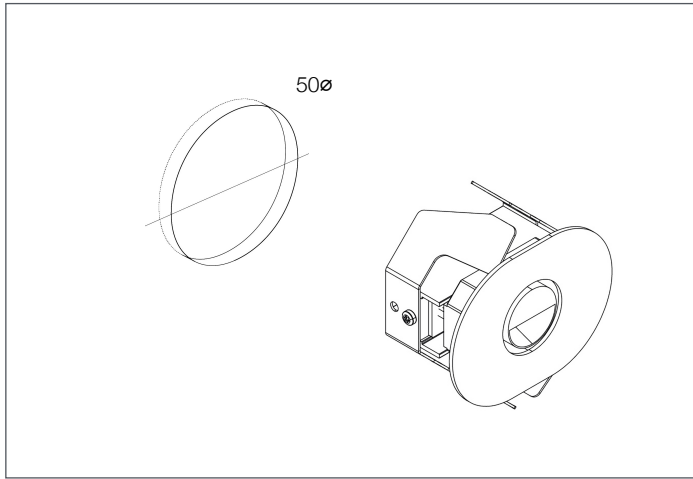
9.N.2025



9.N.2425

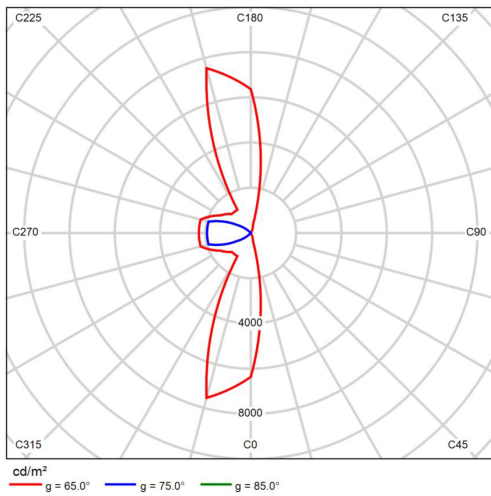
CUTTING DIAMETERS AND MOUNTING

OFF-SET NT asymmetric recess



*Black54 reserves the right of discontinuing or replacing products inside this database

LUMINANCE DIAGRAM



DESCRIPTION

OFF-SET NT recess units with 1x1, 2x1, asymmetrical beam

FIXTURE

Housing Finish
 WH white RAL9010 powder coated
 BL black anodised
 GO gold anodised
 GM gun metal anodised
 SI matte silver anodised
 BR bronze anodised

Visor/Base finish
 BL black anodised
 GO gold anodised
 GM gun metal anodised
 BR bronze anodised

IP Rating IP44

ELECTRICAL FEATURES

9.N.2035
 9.N.2435
 9.N.2015
 9.N.2415

9.N.2425
 9.N.2025

Power E dimmable (driver excluded)

Current **C7** constant current 700mA
C7 constant current 700mA
V2 constant voltage 24v

LIGHT SOURCE (data at 2700°K)

LED Quantity	1	2
Power (700 mA)	2,09 W	4,17 W
Power (1000 mA)	3,16 W	6,31 W
Source Flux (700 mA)	182,50 lm	365 lm
Source Flux (1000 mA)	248,50 lm	497 lm
Luminaire Flux (700 mA)	79,92 lm	159,83 lm
Luminaire Flux (1000 mA)	106,73 lm	213,46 lm
Source Efficacy (700 mA)	87,62 lm/W	87,62 lm/W
Source Efficacy (1000 mA)	78,80 lm/W	78,80 lm/W
Luminaire Efficacy (700 mA)	38,37 lm/W	38,37 lm/W
Luminaire Efficacy (1000 mA)	33,85 lm/W	33,85 lm/W
Optical Efficiency (700 mA)	%43,79	%43,79
Optical Efficiency (1000 mA)	%42,95	%42,95
LED Temperature	4 2400°K 7 2700°K <i>*(other Kelvin degrees upon request)</i>	

CRI 90

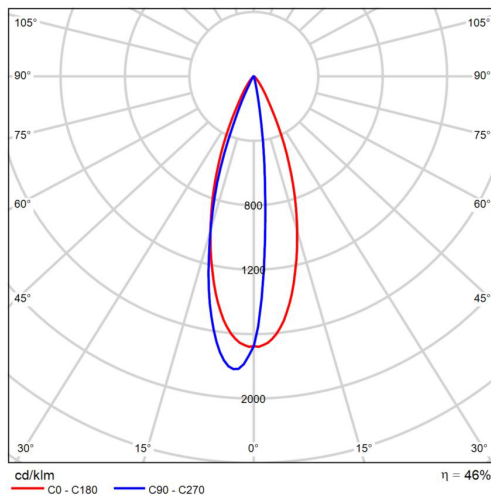
R09 53

UGR Not symmetric

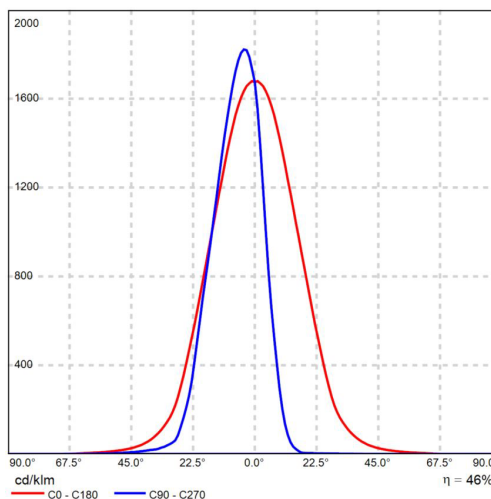
OPTICS

Beam Angle 5 asymmetric beam

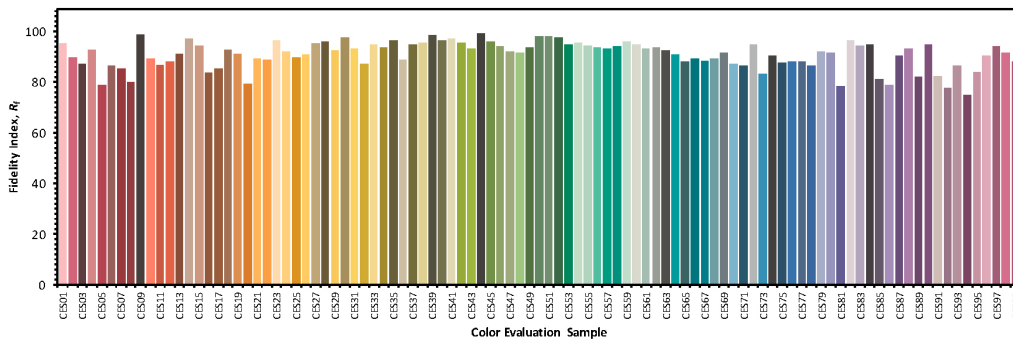
POLAR LDC



LINEAR LDC

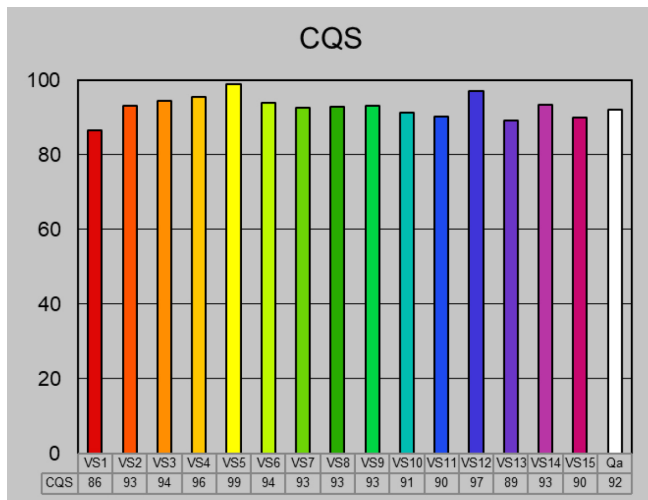


COLOR FIDELITY BY SAMPLE



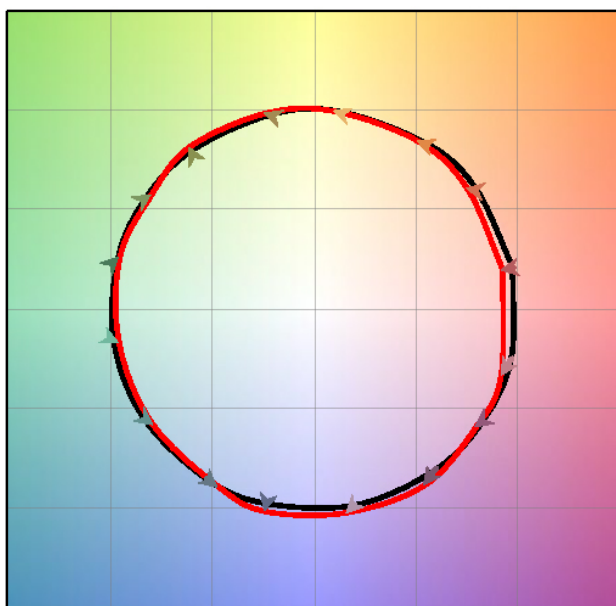
u'	0,2604
v'	0,5270
x	0,4569
y	0,4110
Δuv	0,0004
R9	53

CQS



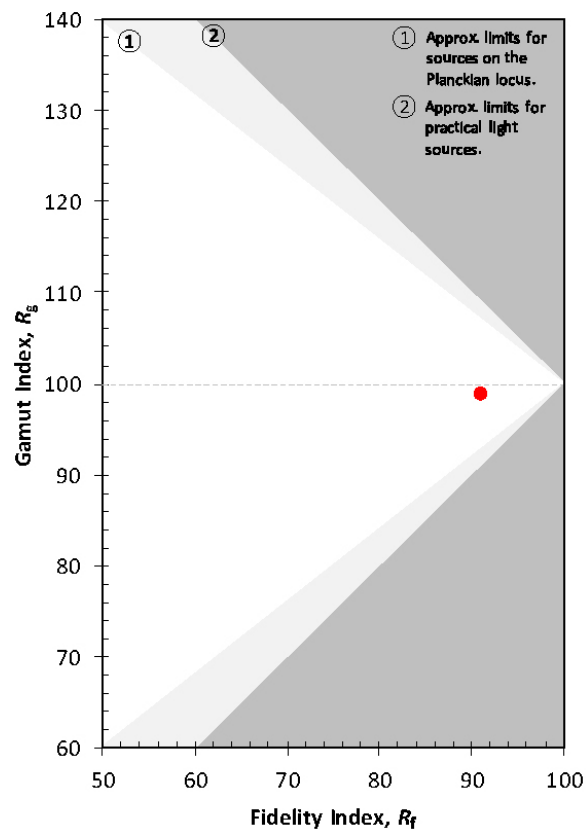
Rg@2700K	99
Rf@2700K	91

COLOR VECTOR GRAPHIC



— Reference Source — Test Source

FIDELITY INDEX



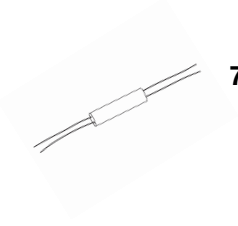
PRODUCT CODES FOR ORDER INFORMATION

	model	beam angle	housing finish	visor/base finish	LED temperature	power	current
	201 NT 1x1 round on round recess 203 NT 1x1 long round on horizontal recess 241 NT 1x1 square on rectangular recess 243 NT 1x1 long square on vertical rectangular recess	5 asymmetric beam	WH white RAL9010 powder coated BL black anodised GO gold anodised GM gun metal anodised SI matte silver anodised BR bronze anodised	BL black anodised GO gold anodised GM gun metal anodised BR bronze anodised	4 2400°K 7 2700°K <i>*(other Kelvin degrees upon request)</i>	E dimmable (driver excluded)	C7 constant current 700mA
9 . N .							

PRODUCT CODES FOR ORDER INFORMATION-1

	model	beam angle	housing finish	visor/base finish	LED temperature	power	current
	202 NT 2x1 long round on vertical recess 242 NT 2x1 long square on horizontal rectangular recess	5 asymmetric beam	WH white RAL9010 powder coated BL black anodised GO gold anodised GM gun metal anodised SI matte silver anodised BR bronze anodised	BL black anodised GO gold anodised GM gun metal anodised BR bronze anodised	4 2400°K 7 2700°K <i>*(other Kelvin degrees upon request)</i>	E dimmable (driver excluded)	C7 constant current 700mA V2 constant voltage 24v
9 . N .							

*Black54 reserves the right of discontinuing or replacing products inside this database



7.P.7000 DCDC converter 700mA/24V dc